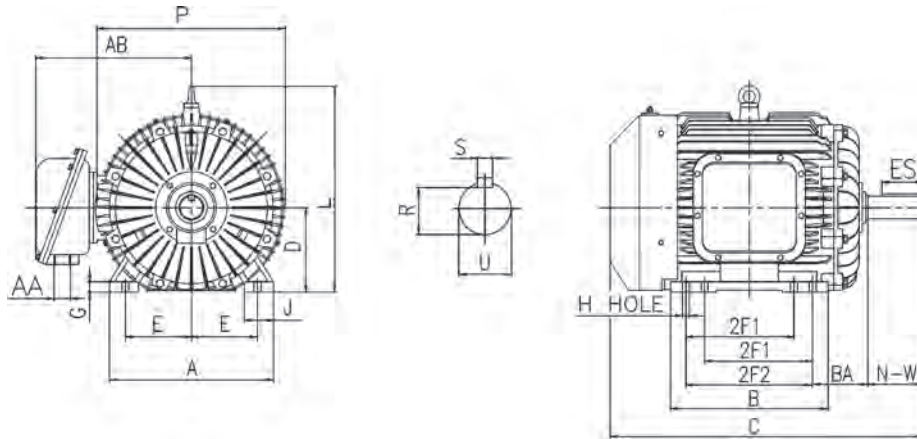


WORLDWIDE EXPLOSION PROOF MOTORS PREMIUM EFFICIENCY / HIGH EFFICIENCY

TEXP Enclosure ▪ Rigid Base

Three-Phase ▪ 208-230/460, 460 and 575 Volt



ALL DIMENSIONS IN INCHES

Frame	E	2F1	2F2	H	BA	A	B	C	D	G	J	P	L	AB	S	ES	R	N-W	U	AA
XPEWWE-143T	2.75	4	5	0.34	2.25	7	6.89	13.78	3.5	0.47	1.42	7.56	9.25	8.07	0.188	1.46	0.771	2.25	0.875	0.75
XPEWWE-145T	2.75	4	5	0.34	2.25	7	6.89	13.78	3.5	0.47	1.42	7.56	9.25	8.07	0.188	1.46	0.771	2.25	0.875	0.75
XPEWWE-182T	3.75	4.5	5.5	0.41	2.75	8.85	7.87	17.13	4.5	0.67	1.69	9.84	11.4	9.06	0.250	1.77	0.986	2.75	1.125	0.75
XPEWWE-184T	3.75	4.5	5.5	0.41	2.75	8.85	7.87	17.13	4.5	0.67	1.69	9.84	11.4	9.06	0.250	1.77	0.986	2.75	1.125	0.75
XPEWWE-213T	4.25	5.5	7	0.41	3.5	10.5	9.3	19.88	5.25	0.83	2.36	12.2	13	11.4	0.312	2.44	1.201	3.38	1.375	1.00
XPEWWE-215T	4.25	5.5	7	0.41	3.5	10.5	9.3	19.88	5.25	0.83	2.36	12.2	13	11.4	0.312	2.44	1.201	3.38	1.375	1.00
XPEWWE-254T	5	8.25	10	0.53	4.25	12.36	12.4	25	6.25	0.87	2.76	14	15.55	13.58	0.375	2.91	1.416	4.00	1.625	1.25
XPEWWE-256T	5	8.25	10	0.53	4.25	12.36	12.4	25	6.25	0.87	2.76	14	15.55	13.58	0.375	2.91	1.416	4.00	1.625	1.25
XPEWWE-284T	5.5	9.5	11	0.53	4.75	13.74	13.74	28.5	7	0.87	2.76	16.3	17.52	14.37	0.500	3.30	1.591	4.62	1.875	1.50
XPEWWE-284TS	5.5	9.5	11	0.53	4.75	13.74	13.74	27.2	7	0.87	2.76	16.3	17.52	14.37	0.375	1.93	1.416	3.25	1.625	1.50
XPEWWE-286T	5.5	9.5	11	0.53	4.75	13.74	13.74	28.5	7	0.87	2.76	16.3	17.52	14.37	0.500	3.30	1.591	4.62	1.875	1.50
XPEWWE-286TS	5.5	9.5	11	0.53	4.75	13.74	13.74	27.2	7	0.87	2.76	16.3	17.52	14.37	0.375	1.93	1.416	3.25	1.625	1.50
XPEWWE-324T	6.25	10.5	12	0.66	5.25	15.55	14.92	31.9	8	0.98	2.76	18.03	19.9	15.4	0.500	3.93	1.845	5.25	2.125	2.00
XPEWWE-324TS	6.25	10.5	12	0.66	5.25	15.55	14.92	30.3	8	0.98	2.76	18.03	19.9	15.4	0.500	2.05	1.591	3.75	1.875	2.00
XPEWWE-326T	6.25	10.5	12	0.66	5.25	15.55	14.92	31.9	8	0.98	2.76	18.03	19.9	15.4	0.500	3.93	1.845	5.25	2.125	2.00
XPEWWE-326TS	6.25	10.5	12	0.66	5.25	15.55	14.92	30.3	8	0.98	2.76	18.03	19.9	15.4	0.500	2.05	1.591	3.75	1.875	2.00
XPEWWE-364T	7	11.25	12.25	0.66	5.88	17.1	15.47	34.84	9	0.98	2.95	19.7	22	17.1	0.625	4.29	2.021	5.88	2.375	3.00
XPEWWE-364TS	7	11.25	12.25	0.66	5.88	17.1	15.47	32.68	9	0.98	2.95	19.7	22	17.1	0.500	2.05	1.591	3.75	1.875	3.00
XPEWWE-365T	7	11.25	12.25	0.66	5.88	17.1	15.47	34.84	9	0.98	2.95	19.7	22	17.1	0.625	4.29	2.021	5.88	2.375	3.00
XPEWWE-365TS	7	11.25	12.25	0.66	5.88	17.1	15.47	32.68	9	0.98	2.95	19.7	22	17.1	0.500	2.05	1.591	3.75	1.875	3.00
XPEWWE-404T	8	12.25	13.75	0.81	6.62	19	17.05	38.6	10	1.18	3.15	21.81	25	18.7	0.750	5.71	2.450	7.25	2.875	3.00
XPEWWE-405T	8	12.25	13.75	0.81	6.62	19	17.05	38.6	10	1.18	3.15	21.81	25	18.7	0.750	5.71	2.450	7.25	2.875	3.00
XPEWWE-405TS	8	12.25	13.75	0.81	6.62	19	17.05	35.6	10	1.18	3.15	21.81	25	18.7	0.500	2.83	1.845	4.25	2.125	3.00
XPEWWE-444/5T	9	14.5	16.5	0.81	7.5	21.3	22	47	11	1.38	3.74	24	28	21.3	0.875	6.93	2.880	8.50	3.375	3.00
XPEWWE-444/5TS	9	14.5	16.5	0.81	7.5	21.3	22	43.3	11	1.38	3.74	24	28	21.3	0.625	3.03	2.021	4.75	2.375	3.00
XPEWWE-445/7/9T	9	20	25	0.81	7.5	21.3	—	55.5	11	1.38	3.74	24	28	21.3	0.875	6.93	2.880	8.50	3.375	3.00
XPEWWE-447/9T-4P	9	20	25	0.81	7.5	21.3	—	55.5	11	1.38	3.74	24	28	21.3	0.875	6.93	2.880	8.50	3.375	3.00
XPEWWE-447/9T-6P	9	20	25	0.81	7.5	21.3	—	55.7	11	1.38	3.74	24	28	21.3	0.875	6.93	2.880	8.50	3.375	3.00
XPEWWE-447/9TS	9	20	25	0.81	7.5	21.3	—	51.8	11	1.38	3.74	24	28	21.3	0.625	3.03	2.021	4.75	2.375	3.00

MOTOR DIMENSIONS

Dimensions shown in this catalog are for general use only.
For an exact drawing on a specific rating, please contact our sales office.